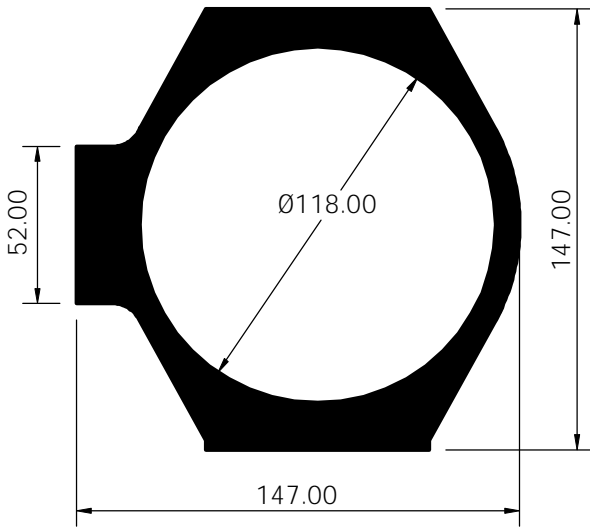


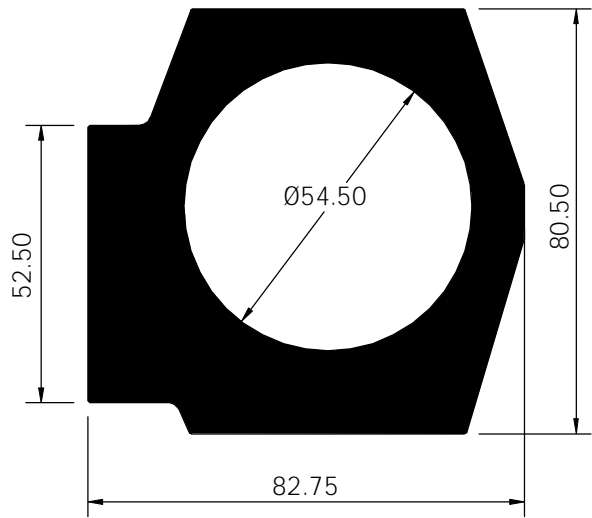


PNEUMATIC

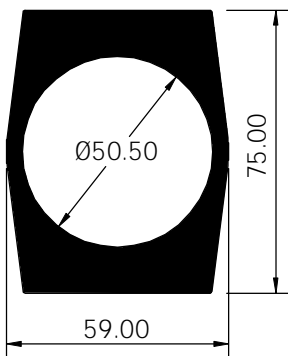
PNU 2005063
(KG/MTR = 16.04)



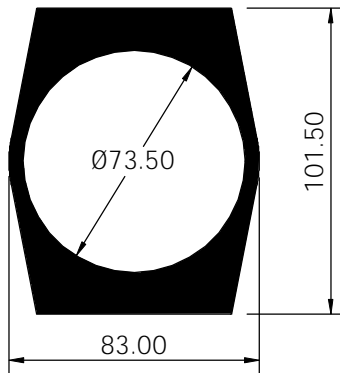
PNU 2005064
(KG/MTR = 9.411)



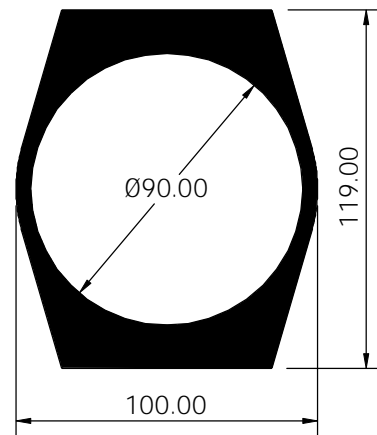
PNU 205732
(KG/MTR = 5.660)



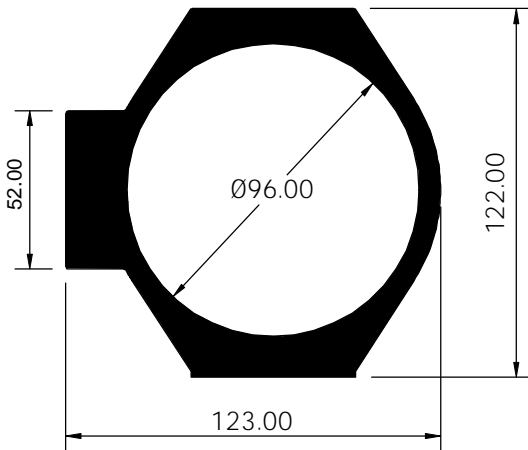
PNU 2005733
(KG/MTR = 8.976)



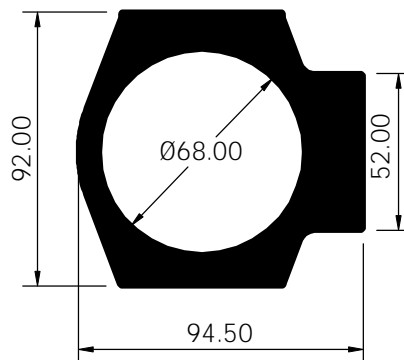
PNU 2005734
(KG/MTR = 10.604)



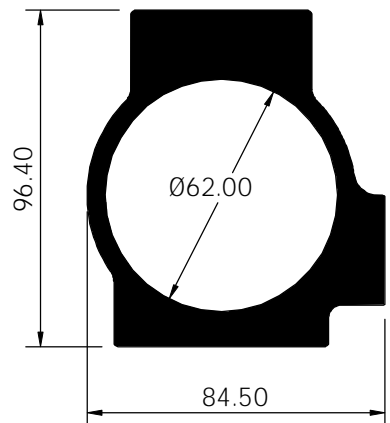
PNU 2005746
(KG/MTR = 11.547)



PNU 2005747
(KG/MTR = 9.624)



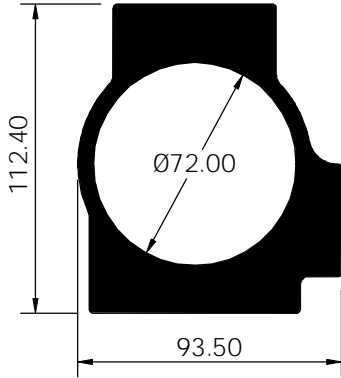
PNU 2005881
(KG/MTR = 10.089)



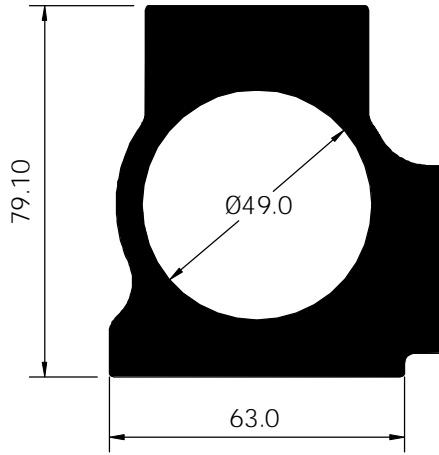


PNEUMATIC

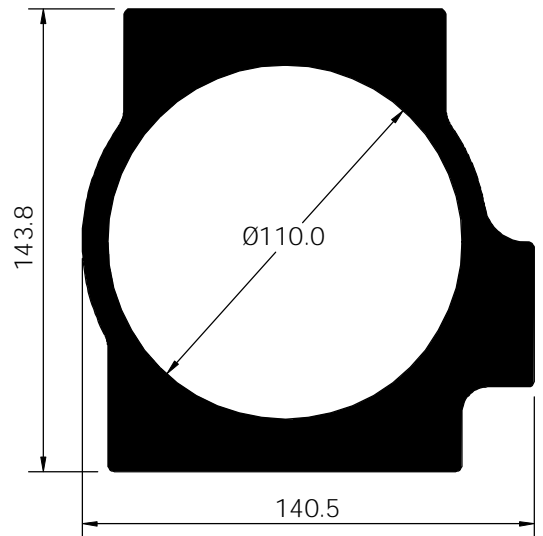
PNU 2007603
(KG/MTR = 12.241)



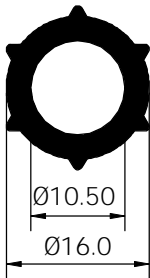
PNU 2007607
(KG/MTR = 7.780)



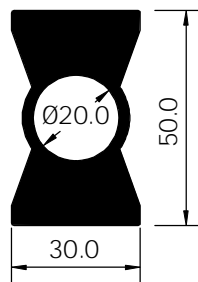
PNU 2007602
(KG/MTR = 20.20)



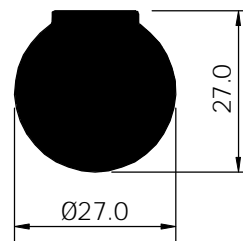
PNU 2007608
(KG/MTR = 0.333)



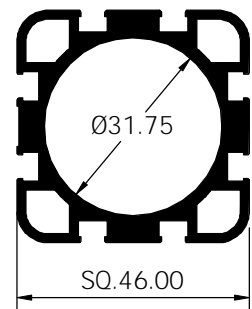
PNU 2007609
(KG/MTR = 2.609)



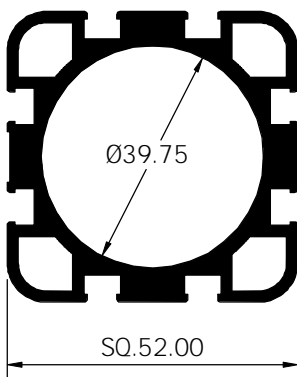
PNU 2007611
(KG/MTR = 1.572)



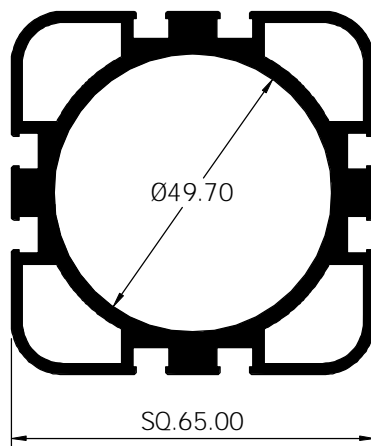
PNU 2007612
(KG/MTR = 1.806)



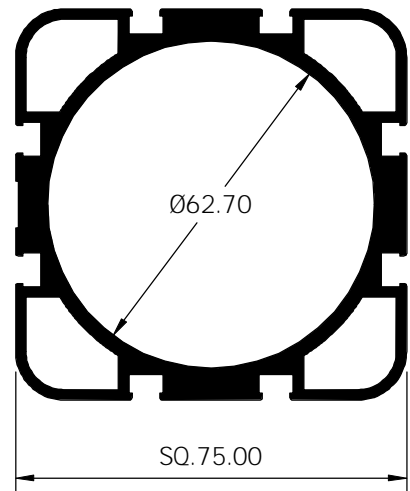
PNU 2007613
(KG/MTR = 2.265)



PNU 2007614
(KG/MTR = 2.919)



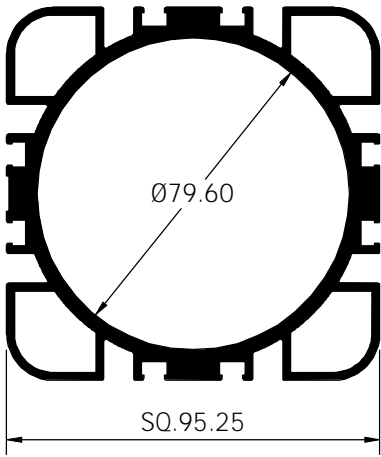
PNU 2007615
(KG/MTR = 3.502)





PNEUMATIC

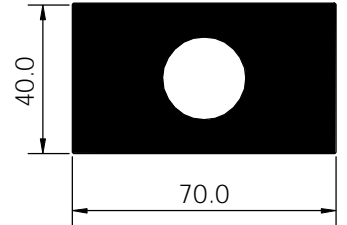
PNU 2007616
(KG/MTR = 4.852)



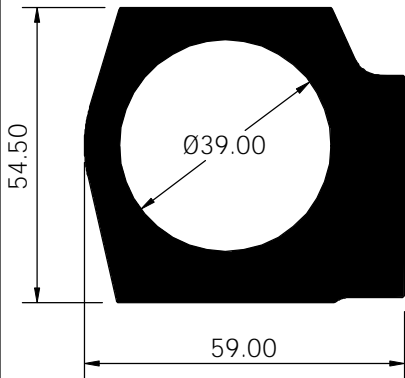
PNU 2007617
(KG/MTR = 6.100)



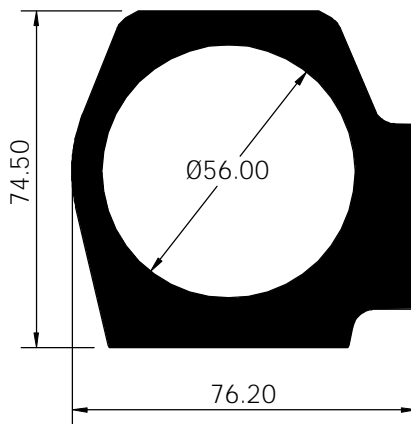
PNU 2007618
(KG/MTR = 6.533)



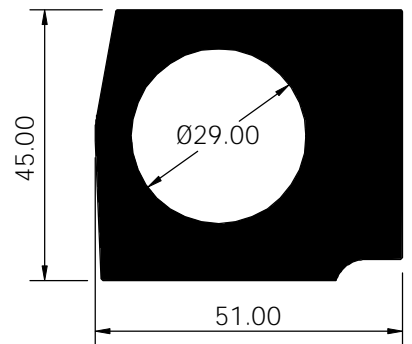
PNU 2007620
(KG/MTR = 4.666)



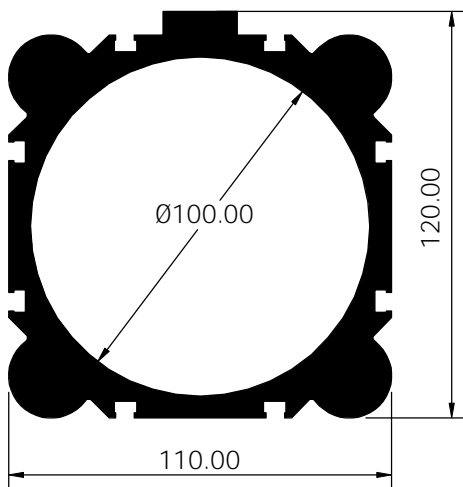
PNU 2007621
(KG/MTR = 6.612)



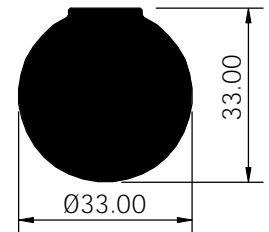
PNU 2007619
(KG/MTR = 4.198)



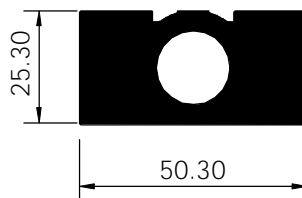
PNU 2007624
(KG/MTR = 10.697)



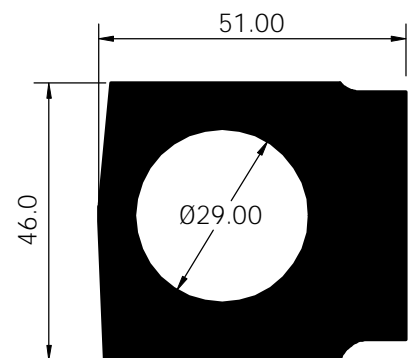
PNU 2007623
(KG/MTR = 2.328)



PNU 2007625
(KG/MTR = 2.822)



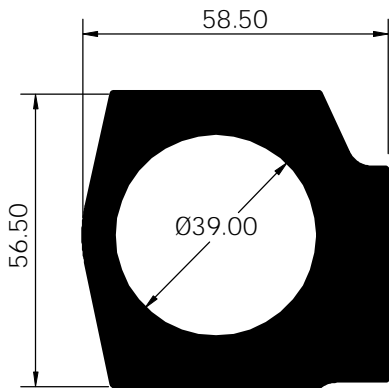
PNU 2007626
(KG/MTR = 4.330)



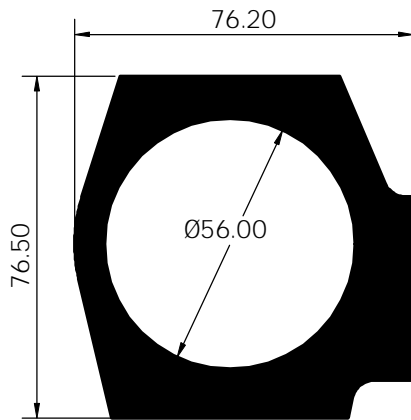


PNEUMATIC

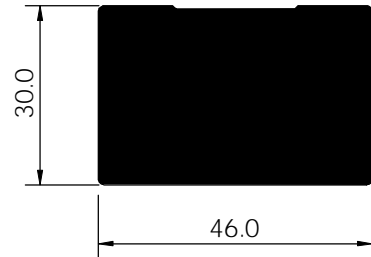
PNU 2007627
(KG/MTR = 4.914)



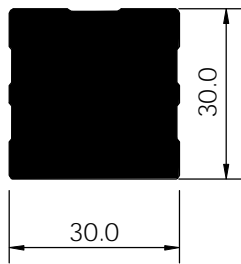
PNU 2007628
(KG/MTR = 7.123)



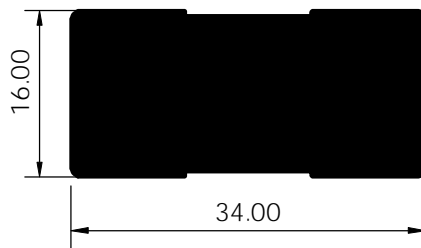
PNU 2007629
(KG/MTR = 3.700)



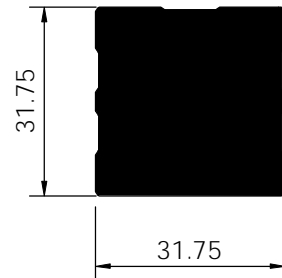
PNU 2007631
(KG/MTR = 2.378)



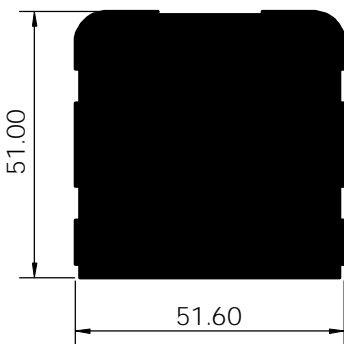
PNU 2007632
(KG/MTR = 1.433)



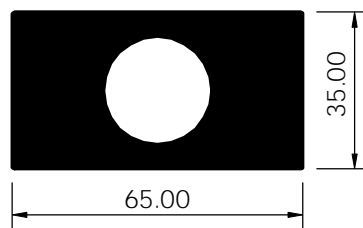
PNU 2007630
(KG/MTR = 2.670)



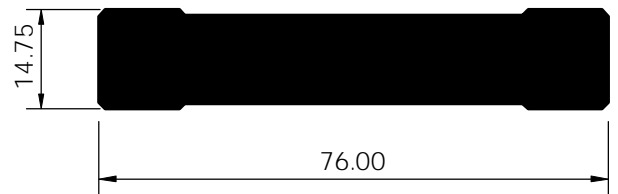
PNU 2007638
(KG/MTR = 6.955)



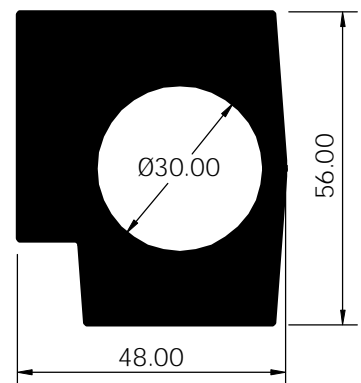
PNU 2007640
(KG/MTR = 4.900)



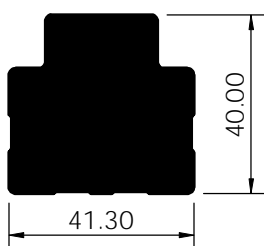
PNU 2007633
(KG/MTR = 2.800)



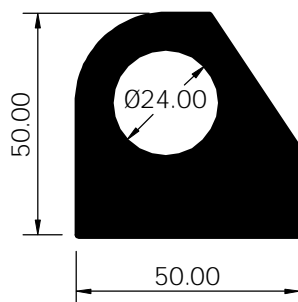
PNU 2007649
(KG/MTR = 4.737)



PNU 2007647
(KG/MTR = 3.884)



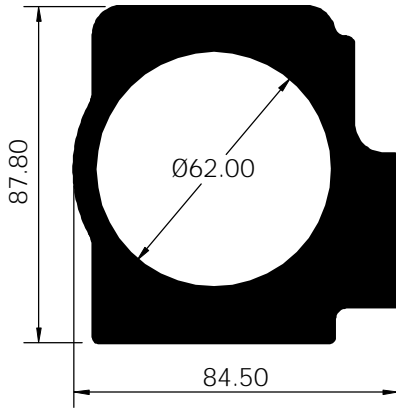
PNU 2007648
(KG/MTR = 4.486)



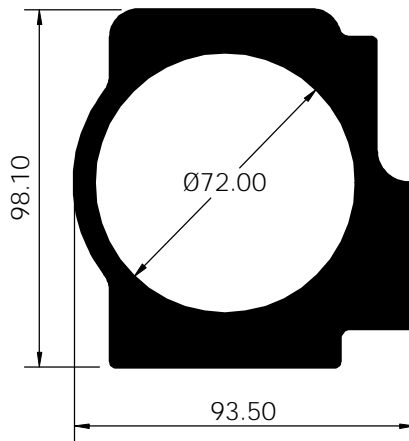


PNEUMATIC

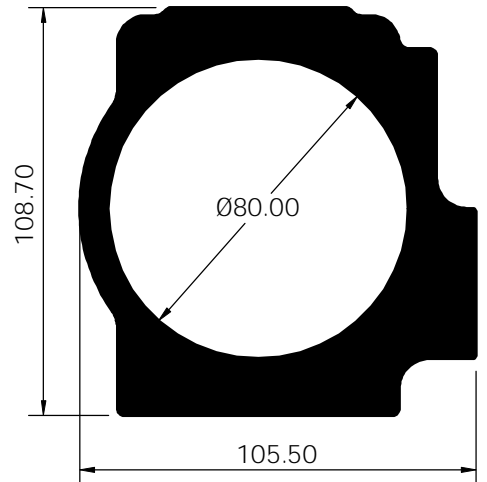
PNU 2007641
(KG/MTR = 9.290)



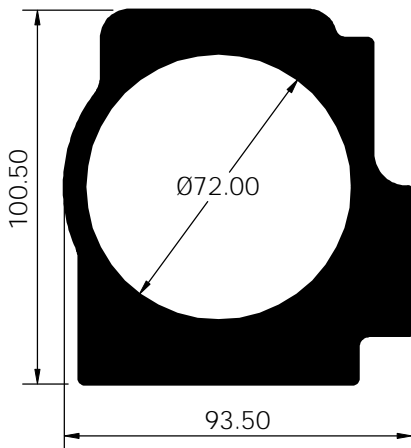
PNU 2007642
(KG/MTR = 9.976)



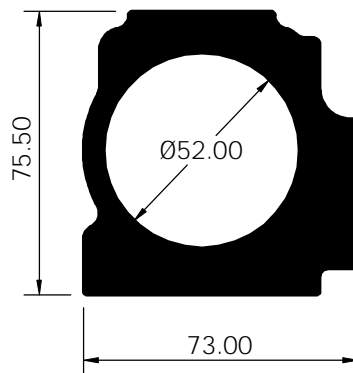
PNU 2007643
(KG/MTR = 12.737)



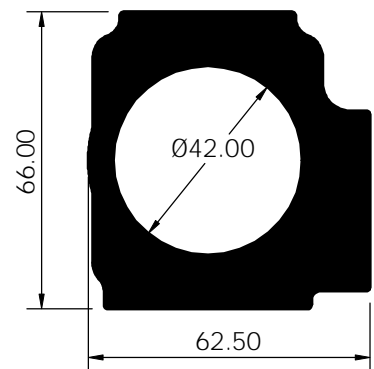
PNU 2007644
(KG/MTR = 11.08)



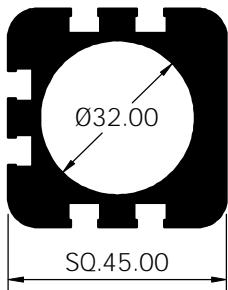
PNU 2007645
(KG/MTR = 7.516)



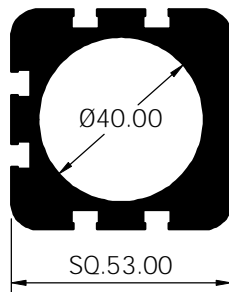
PNU 2007646
(KG/MTR = 6.271)



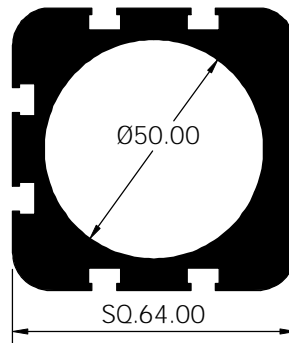
PNU 2007650
(KG/MTR = 2.698)



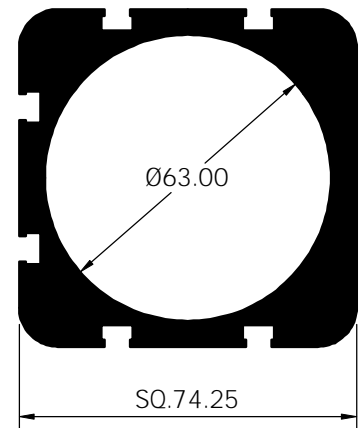
PNU 2007651
(KG/MTR = 3.619)



PNU 2007652
(KG/MTR = 5.041)



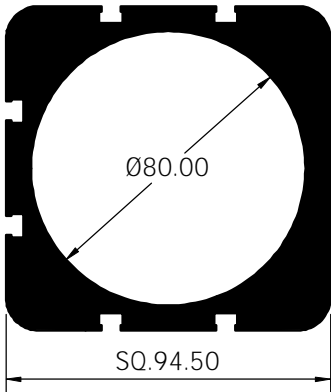
PNU 3007653
(KG/MTR = 5.803)



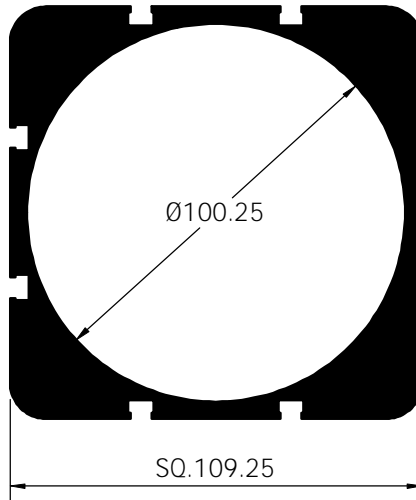


PNEUMATIC

PNU 3007654
(KG/MTR = 9.807)



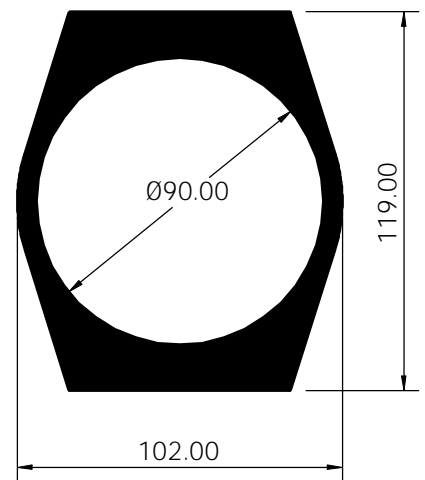
PNU 3007655
(KG/MTR = 10.185)



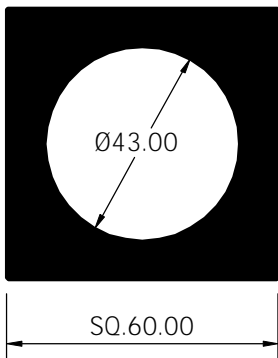
PNU 3007656
(KG/MTR = 10.028)



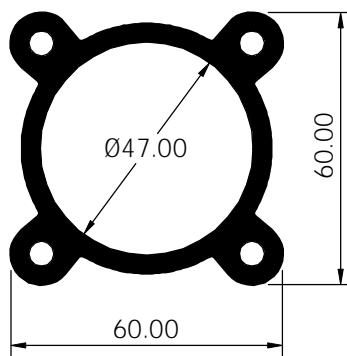
PNU 3007659
(KG/MTR = 11.018)



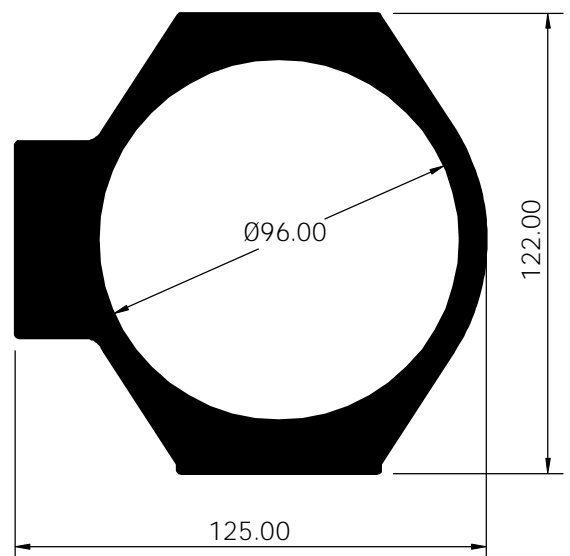
PNU 3007657
(KG/MTR = 5.798)



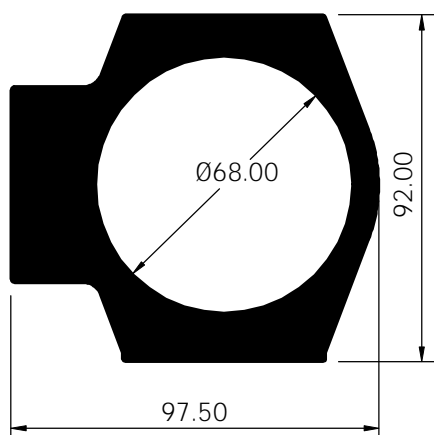
PNU 2007658
(KG/MTR = 3.042)



PNU 3007660
(KG/MTR = 11.828)



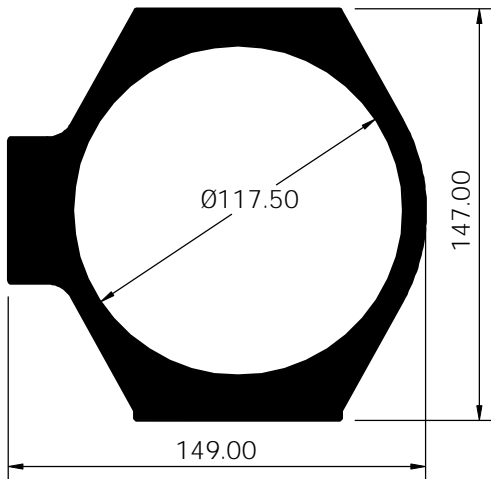
PNU 3007661
(KG/MTR = 10.046)



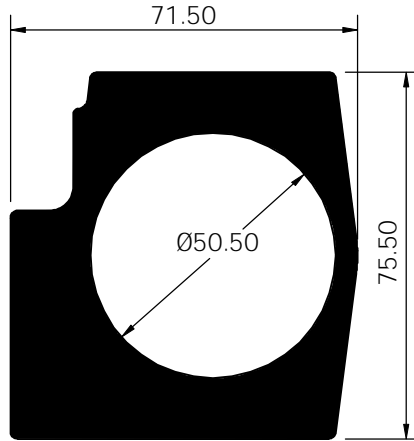


PNEUMATIC

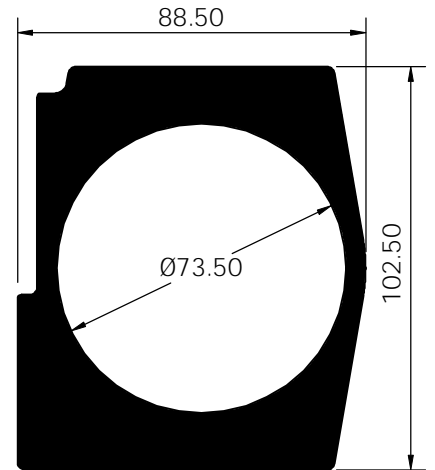
PNU 3007662
(KG/MTR = 16.578)



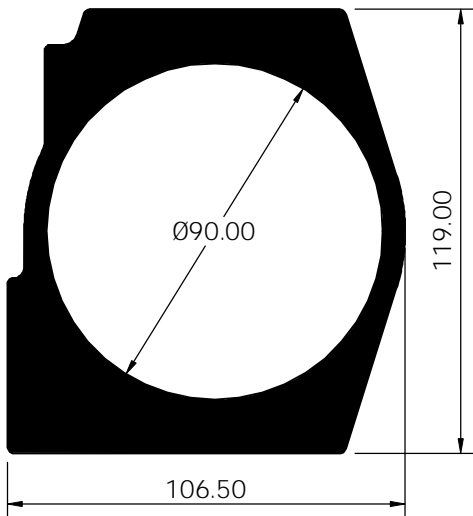
PNU 3007663
(KG/MTR = 7.669)



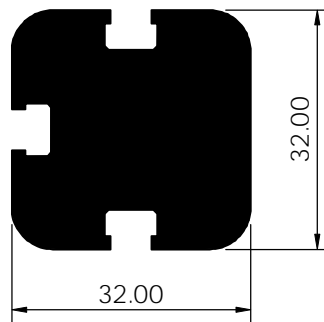
PNU 3007664
(KG/MTR = 11.053)



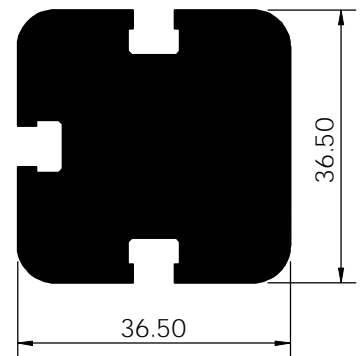
PNU 3007665
(KG/MTR = 12.989)



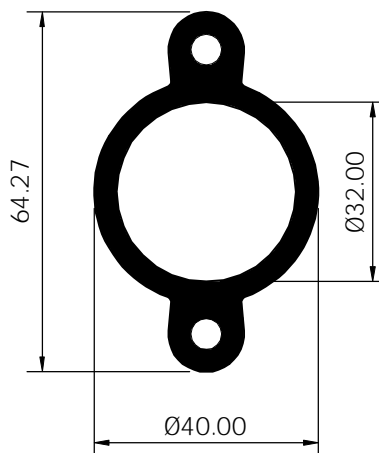
PNU 2007666
(KG/MTR = 2.418)



PNU 2007667
(KG/MTR = 3.231)



PNU 2007669
(KG/MTR = 1.883)



PNU 2007668
(KG/MTR = 4.184)

