

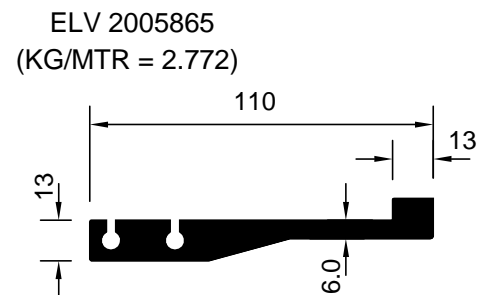
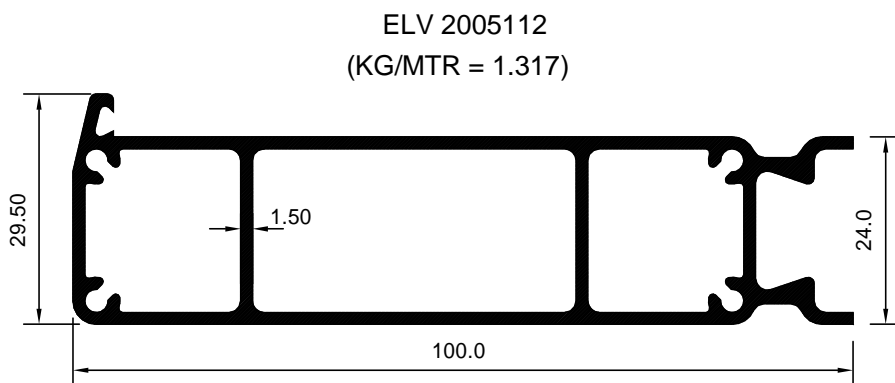
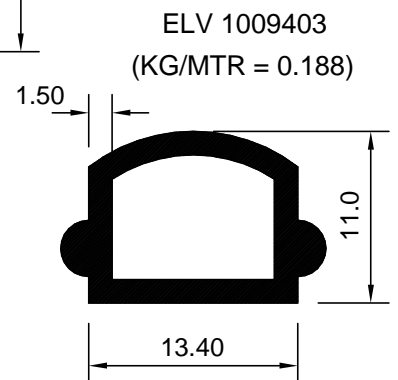
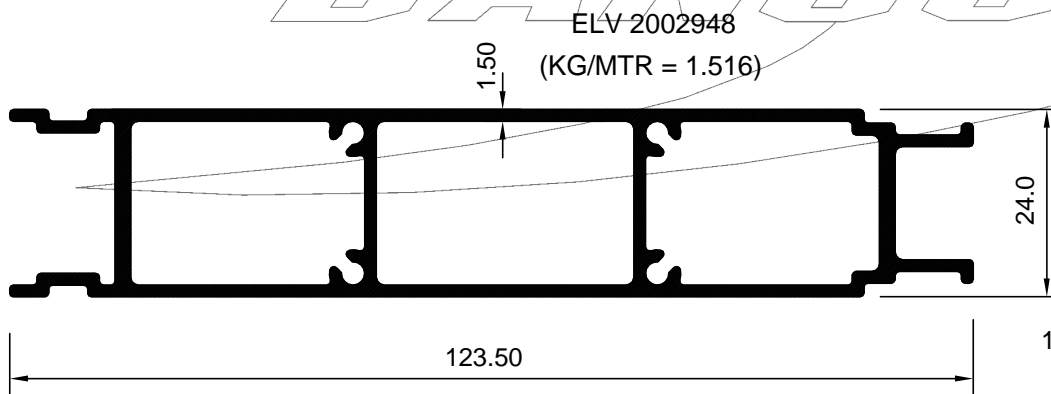
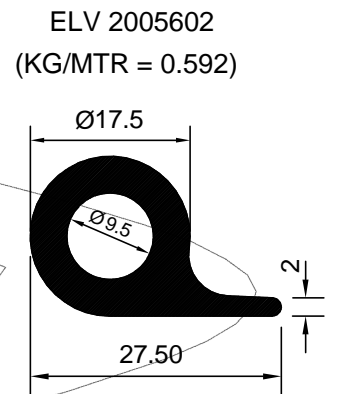
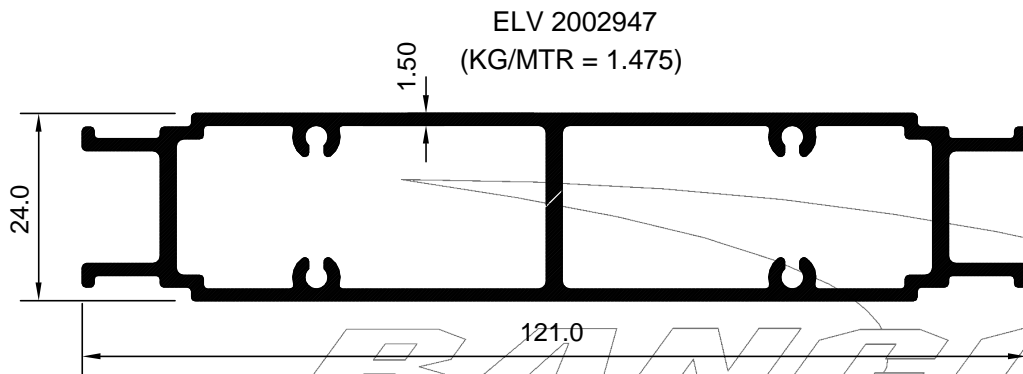
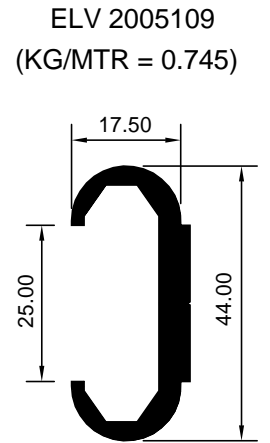
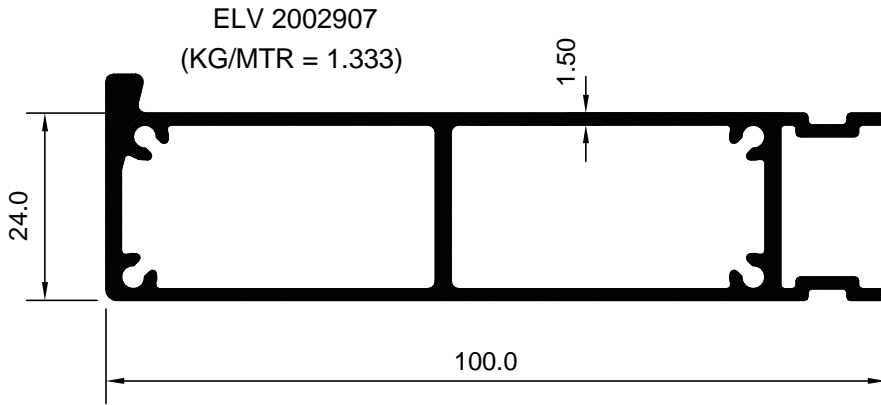


ELEVATORS SECTIONS

BANCO ALUMINIUM LIMITED

Phone : +91 265 2477200

E-mail : sales@bancoaluminium.com

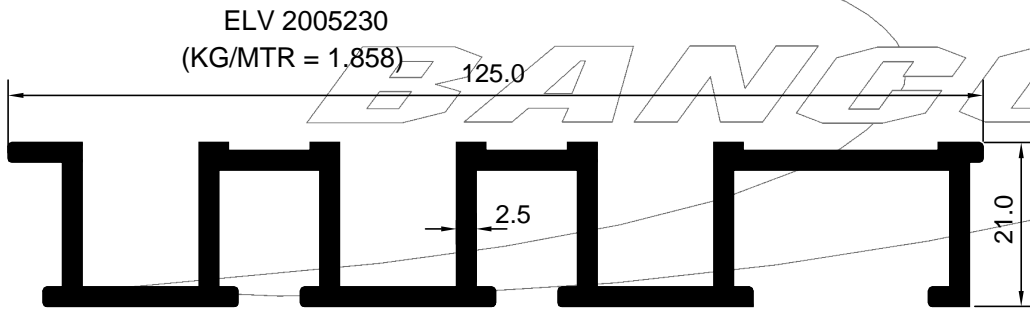
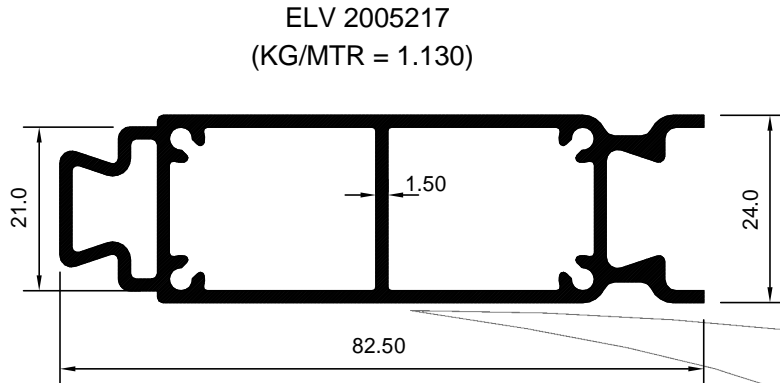
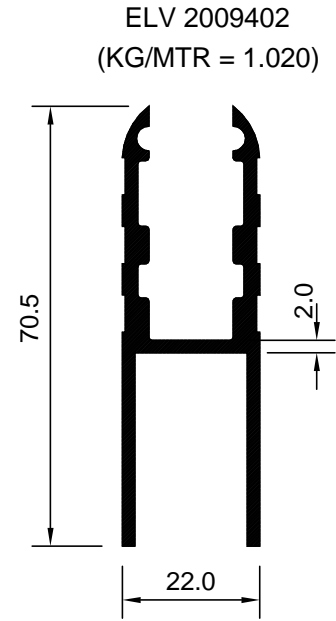
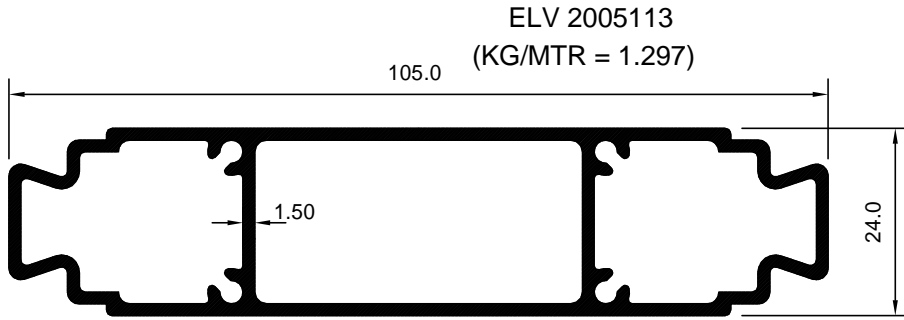


ALL DIMENSIONS ARE IN MM

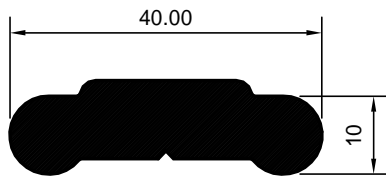
WEIGHT TOLERANCES ± 7 TO 10%

REV.DT. 040119

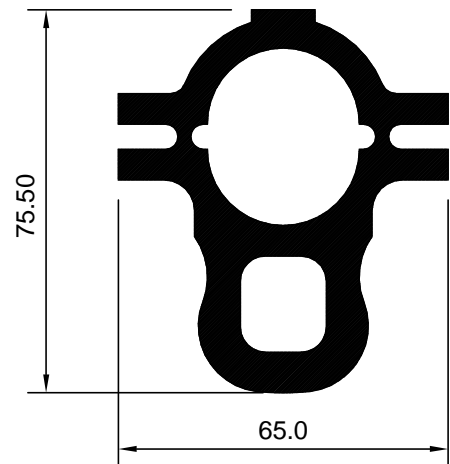
BANCO ALUMINIUM LIMITED
Post Box No. 2563, Vadodara 390005, Gujarat, India
Phone : +91 265 2477200
E-mail : sales@bancoaluminium.com



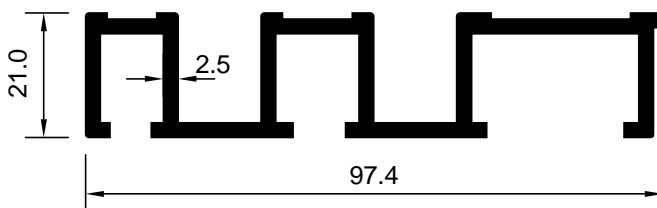
ELV 2009408
(KG/MTR = 1.004)



ELV 2009404
(KG/MTR = 4.327)



ELV 2009401
(KG/MTR = 1.523)



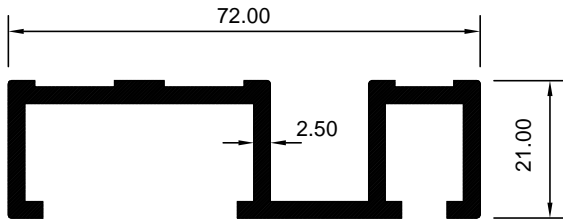
ALL DIMENSIONS ARE IN MM

WEIGHT TOLERANCES ± 7 TO 10%

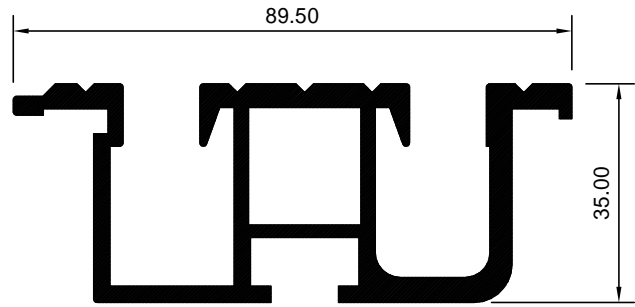
REV.DT. 040119

BANCO ALUMINIUM LIMITED
Post Box No. 2563, Vadodara 390005, Gujarat, India
Phone : +91 265 2477200
E-mail : sales@bancoaluminium.com

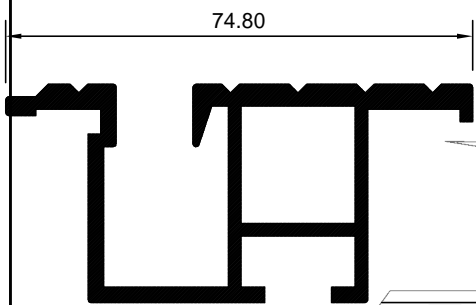
ELV 2009405
(KG/MTR = 1.090)



ELV 1009406
(KG/MTR = 2.139)



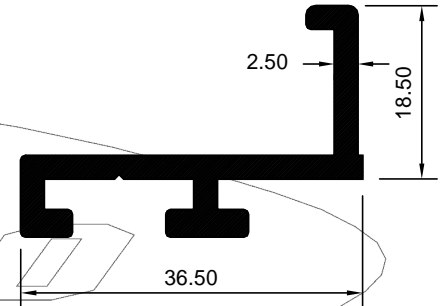
ELV 1009407
(KG/MTR = 1.481)



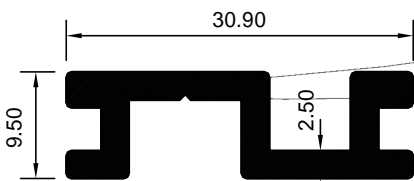
ELV 1009409
(KG/MTR = 1.163)



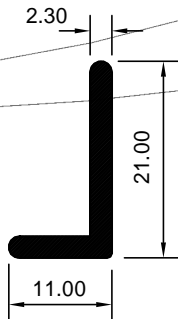
ELV 2009412
(KG/MTR = 0.528)



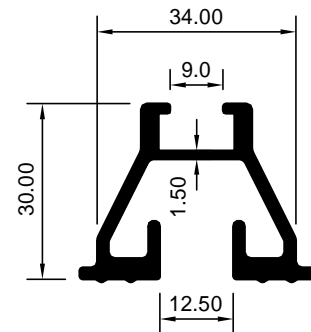
ELV 2009414
(KG/MTR = 0.401)



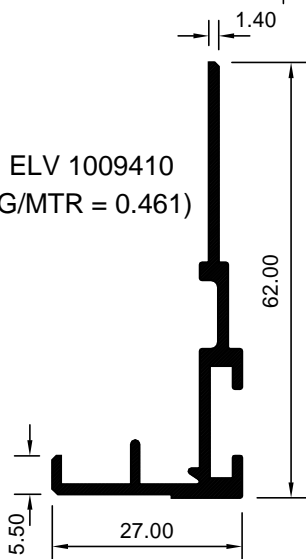
ELV 1009411
(KG/MTR = 0.181)



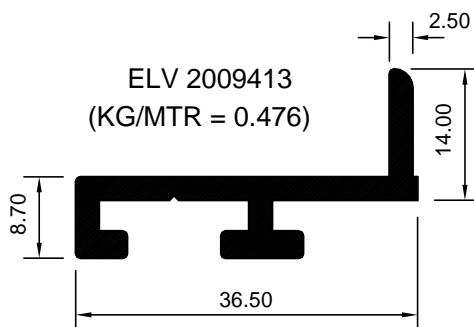
ELV 1009416
(KG/MTR = 0.743)



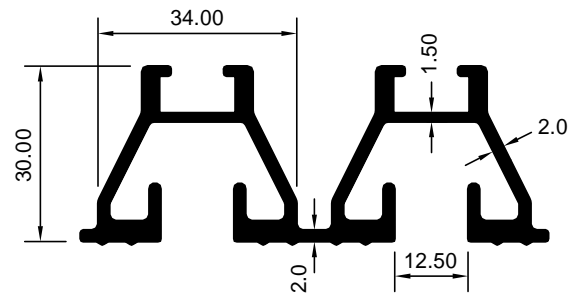
ELV 1009410
(KG/MTR = 0.461)



ELV 2009413
(KG/MTR = 0.476)



ELV 2009415
(KG/MTR = 1.487)



ALL DIMENSIONS ARE IN MM

WEIGHT TOLERANCES ± 7 TO 10%

REV.DT. 040119

BANCO ALUMINIUM LIMITED
Post Box No. 2563, Vadodara 390005, Gujarat, India
Phone : +91 265 2477200
E-mail : sales@bancoaluminium.com